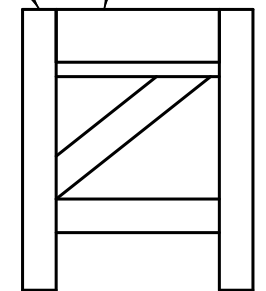
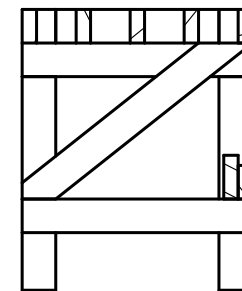
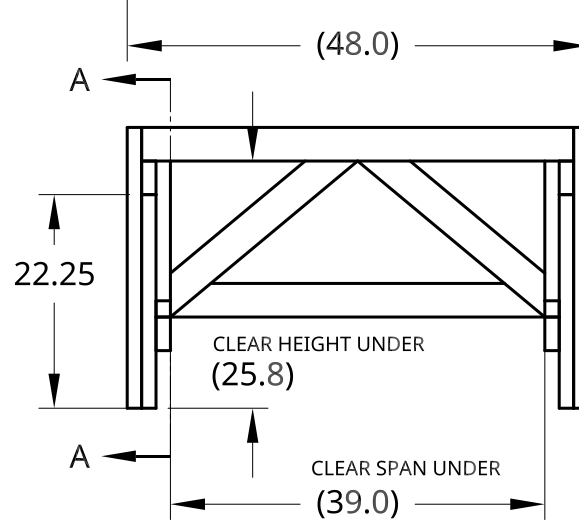
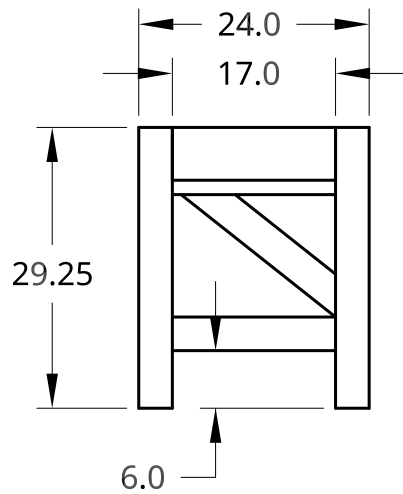
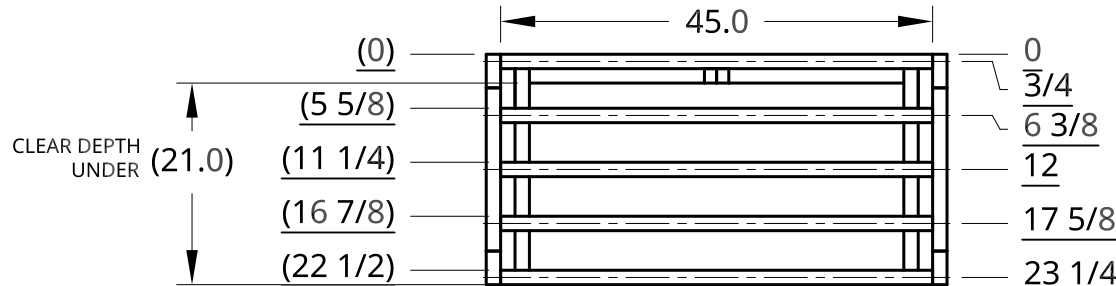
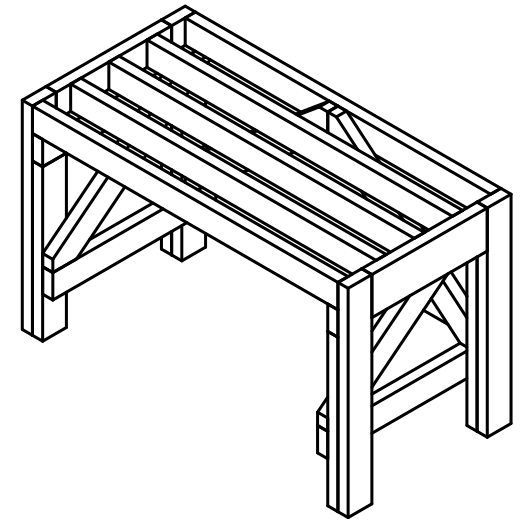
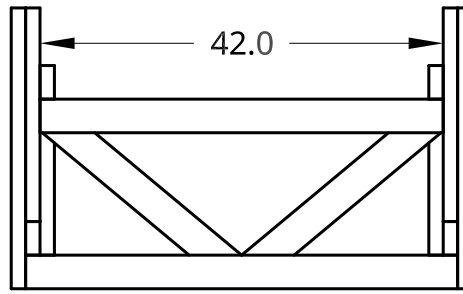


CLEAR SPAN UNDER: 39"
 CLEAR HEIGHT UNDER: 25.8"
 CLEAR DEPTH UNDER: 21"



SECTION A - A

BENCH FRAME HEIGHT =
 BUCKET TOP HEIGHT (40") -
 BUCKET HEIGHT (9.5") -
 BENCHTOP THICKNESS (0.75") -
 PLYWOOD SUBTOP (0.5") = 29.25"

SUBTOP AND BENCHTOP NOT SHOWN

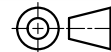
UNLESS OTHERWISE SPECIFIED,
 DIMENSIONS ARE IN INCHES

	NAME	DATE
DRAWN	DAVID M.	03/11/2020
CHECKED		
APPROVED		

DO NOT SCALE DRAWING

BREAK ALL SHARP EDGES AND
 REMOVE BURRS

THIRD ANGLE PROJECTION



MATERIAL	FINISH
AC2 WOOD	

CircuitousRoot

TITLE
 WORKBENCH FRAME
 FOR ELECTROCHEMISTRY BATHS
 FOUR FOOT LENGTH

SIZE	DWG. NO.	REV.
A	WBELECTRO4A	4
SCALE	WEIGHT	SHEET
1:20		1 of 1