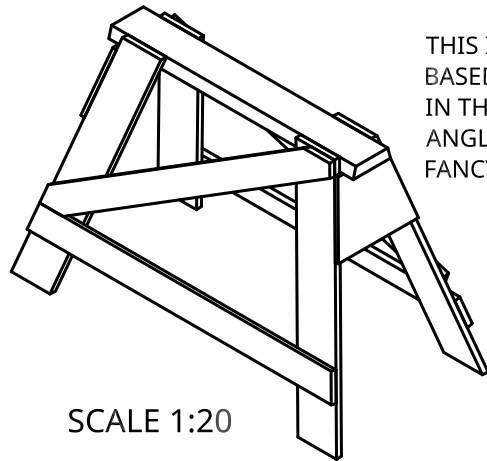


2

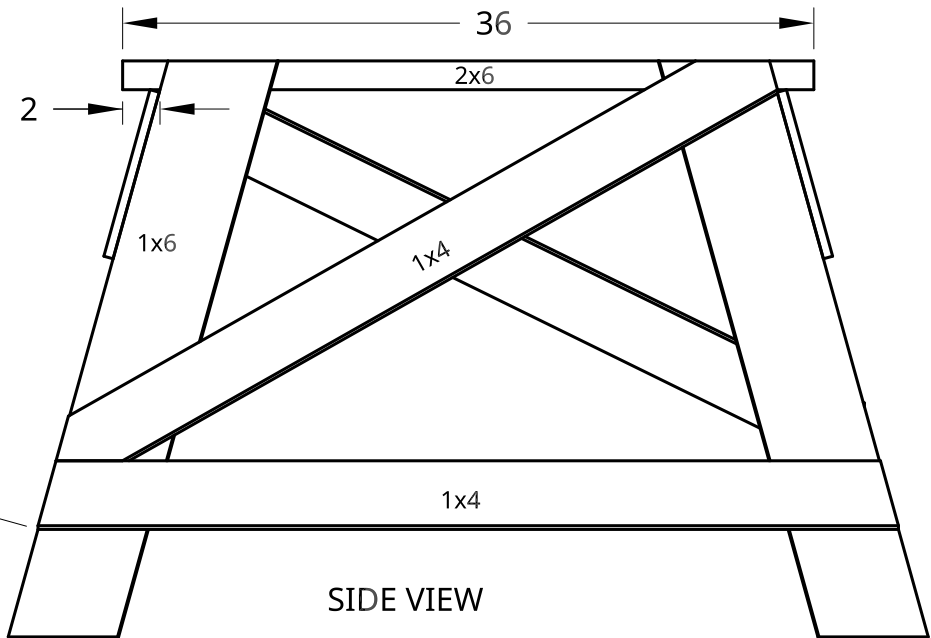
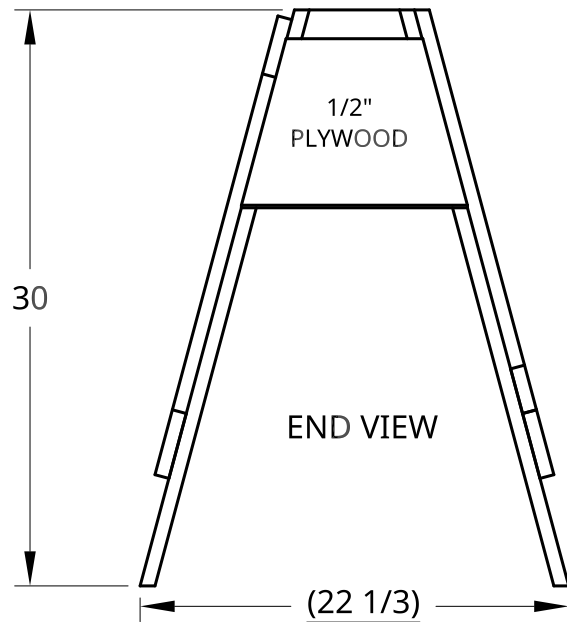
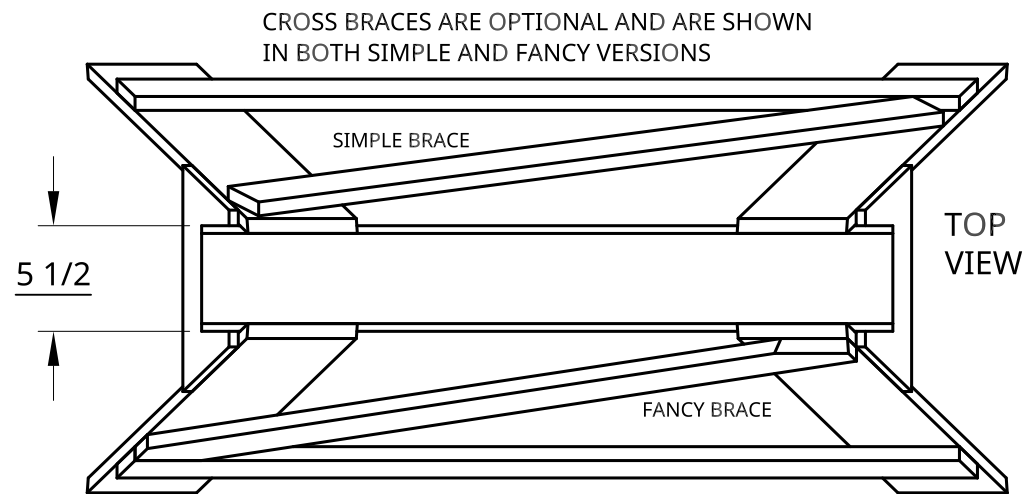
1



THIS IS A TRADITIONAL DESIGN BASED ON A SET THAT I ACQUIRED IN THE 1980S. EVERY NON-RIGHT ANGLE IS 15° (EXCEPT IN OPTIONAL FANCY BRACES).

BUILD TWO FOR CROSSCUT WORK. BUILD THREE FOR RIPPING LARGE PLYWOOD SHEETS.

SCALE 1:20



**MATERIALS FOR 1 SAWHORSE:**

- |   |                           |
|---|---------------------------|
| (1) 2 X 6 - 36"                                       | TOP                       |
| (4) 1 X 6 - 35"                                       | LEGS                      |
| (2) 1 X 4 - 45"                                       | STRETCHERS                |
| (2) 1 X 4 - 40"                                       | BRACES (OPTIONAL), SIMPLE |
| (2) 1 X 4 - 43"                                       | BRACES (OPTIONAL), FANCY  |
| (1) 1/2" PLYWOOD, 12" X 16" PIECE TO MAKE (2) GUSSETS |                           |
| (1) 1 1/4" & APPROX. 3" CONSTRUCTION SCREWS           |                           |

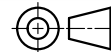
UNLESS OTHERWISE SPECIFIED, DIMENSIONS ARE IN INCHES

DESIGN IS PUBLIC DOMAIN. DRAWING AND MODEL ARE COPYRIGHT 2020 BY DMM. LICENSE: CREATIVE COMMONS ATTRIBUTION-SHAREALIKE 4.0 INTL.

DO NOT SCALE DRAWING

UNLESS NOTED, BREAK ALL SHARP EDGES AND REMOVE BURRS

THIRD ANGLE PROJECTION



NAME	DATE
DRAWN	DMM
	2020-05-08
MATERIAL	
WOOD	

<p><i>ircuitousRoot</i></p> <p>15 DEGREE SAWHORSE GENERAL ARRANGEMENT</p>		REV.	4
		SIZE	A
SCALE	1:10	DWG	1 of 5

2

1