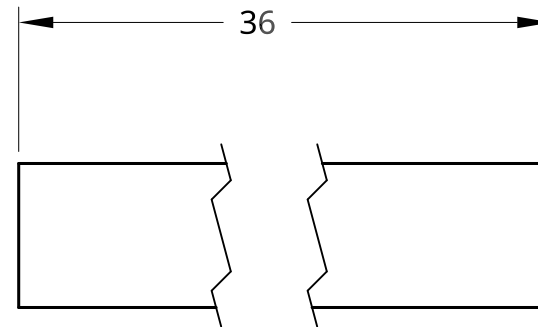
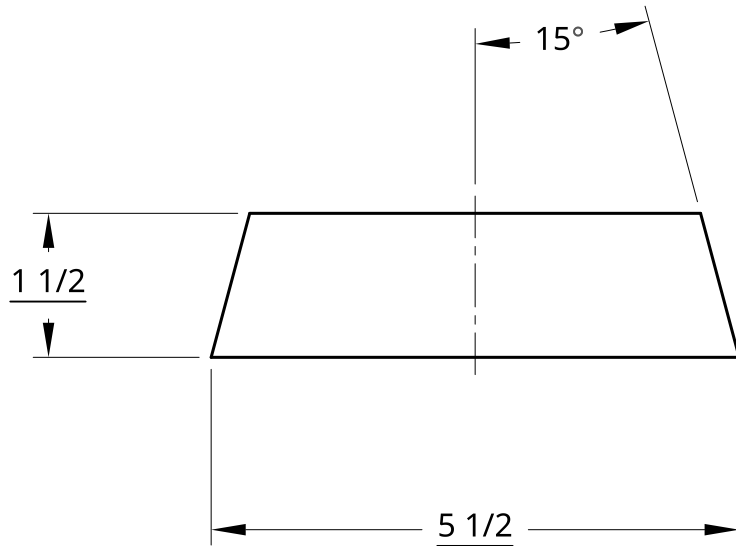
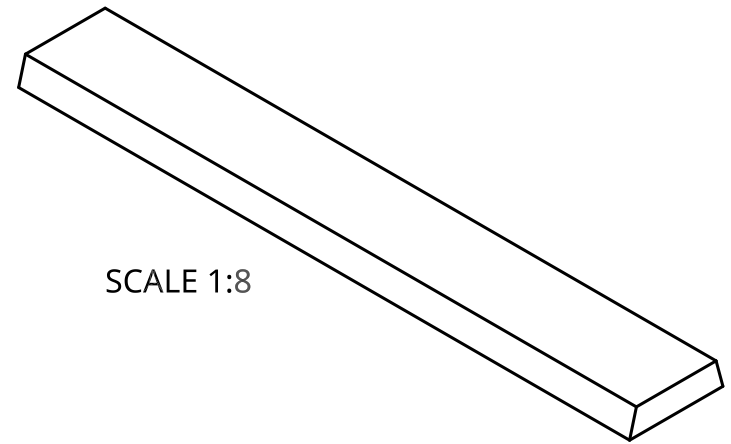
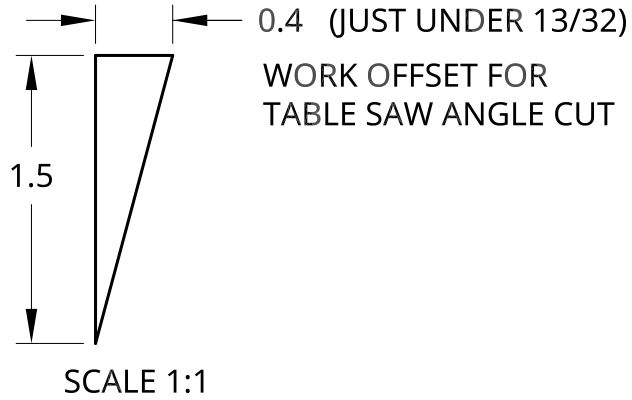


2

1



SIDE VIEW

END VIEW

**STOCK:**

2 X 6 - 36" DIMENSIONAL LUMBER  
(1.5 X 5.5 - 36")  
1 REQUIRED PER SAWHORSE

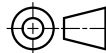
UNLESS OTHERWISE SPECIFIED,  
DIMENSIONS ARE IN INCHES

DESIGN IS PUBLIC DOMAIN.  
DRAWING AND MODEL ARE  
COPYRIGHT 2020 BY DMM.  
LICENSE: CREATIVE COMMONS  
ATTRIBUTION-SHAREALIKE 4.0 INT'L.

DO NOT SCALE DRAWING

UNLESS NOTED, BREAK ALL SHARP  
EDGES AND REMOVE BURRS

THIRD ANGLE PROJECTION



	NAME	DATE
DRAWN	DMM	2020-05-08

MATERIAL
WOOD

*CircuitousRoot*

TITLE	
15 DEGREE SAWHORSE TOP	
SIZE	DWG NO.
A	SAWHORSE15-2
SCALE	REV.
1:2	5
DWG 2 OF 5	

2

1