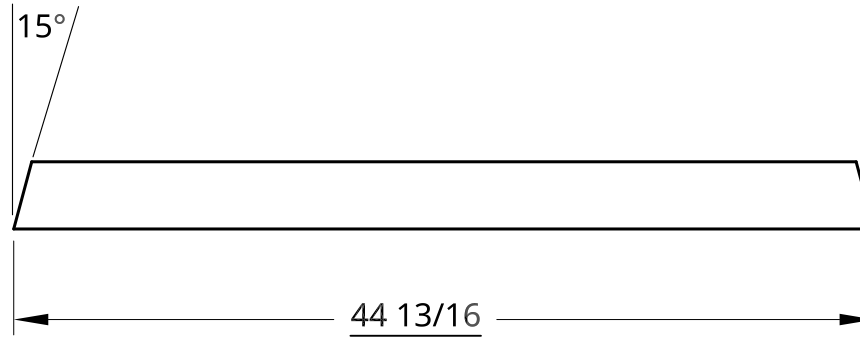
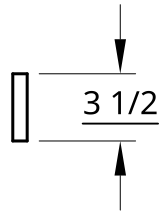


2

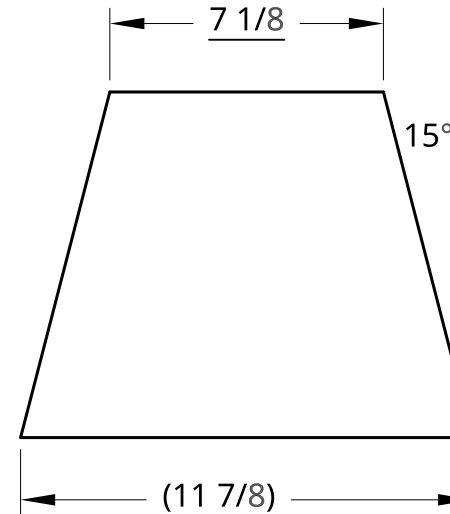
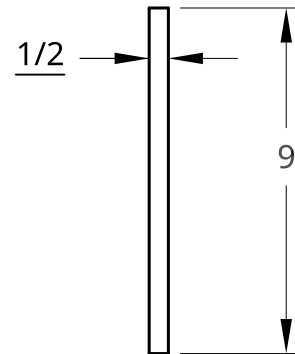
1



STRETCHER

SCALE 1:10

IN THEORY, THE TOP EDGES OF THE GUSSETS SHOULD BE CHAMFERED TO FIT THE BOTTOM OF THE SAWHORSE TOPS AND THE SIDE EDGES OF THE GUSSETS SHOULD BE CHAMFERED TO MATCH THE OUTSIDE SURFACES OF THE LEGS. IN PRACTICE THIS IS NOT NECESSARY AND THE GUSSETS' EDGES MAY BE CUT SQUARE.



GUSSET

SCALE 1:5

STOCK:

1 X 4 - 45" DIMENSIONAL LUMBER
(0.75 X 3.5 - 45")

2 REQUIRED PER SAWHORSE

1/2" PLYWOOD, 1 12 X 16" PIECE
TO MAKE 2 GUSSETS REQUIRED
PER SAWHORSE

UNLESS OTHERWISE SPECIFIED, DIMENSIONS ARE IN INCHES	NAME	DATE	<i>CircuitousRoot</i>	
	DRAWN	2020-05-08		
DESIGN IS PUBLIC DOMAIN. DRAWING AND MODEL ARE COPYRIGHT 2020 BY DMM. LICENSE: CREATIVE COMMONS ATTRIBUTION-SHAREALIKE 4.0 INT'L.	DMM		TITLE 15 DEGREE SAWHORSE STRETCHERS AND GUSSETS	
DO NOT SCALE DRAWING			SIZE A	DWG NO. SAWHORSE15-4
UNLESS NOTED, BREAK ALL SHARP EDGES AND REMOVE BURRS			REV. 4	
THIRD ANGLE PROJECTION	MATERIAL WOOD & PLYWOOD		SCALE 1:10	DWG 4 of 5

2

1

B

B

A

A