

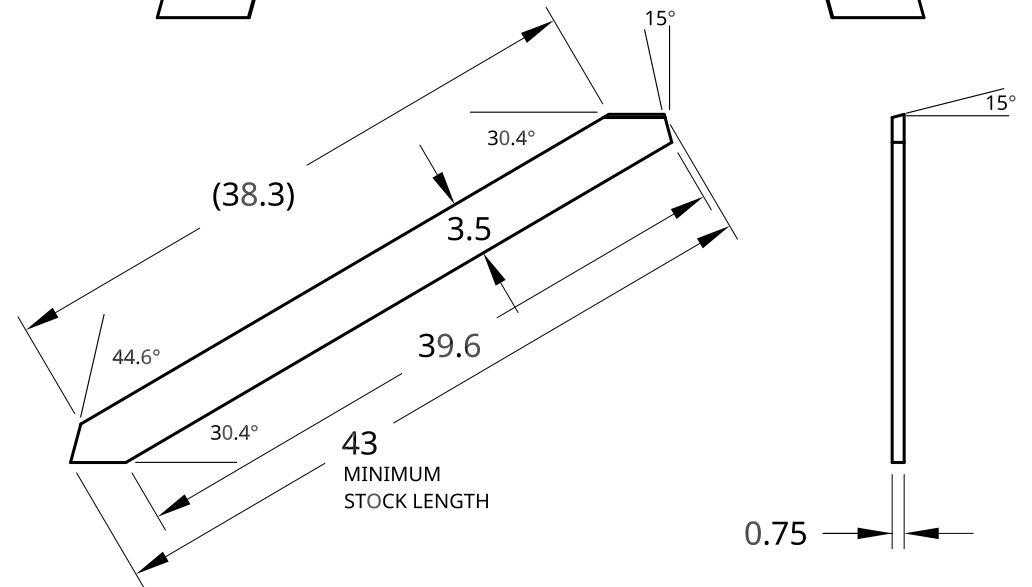
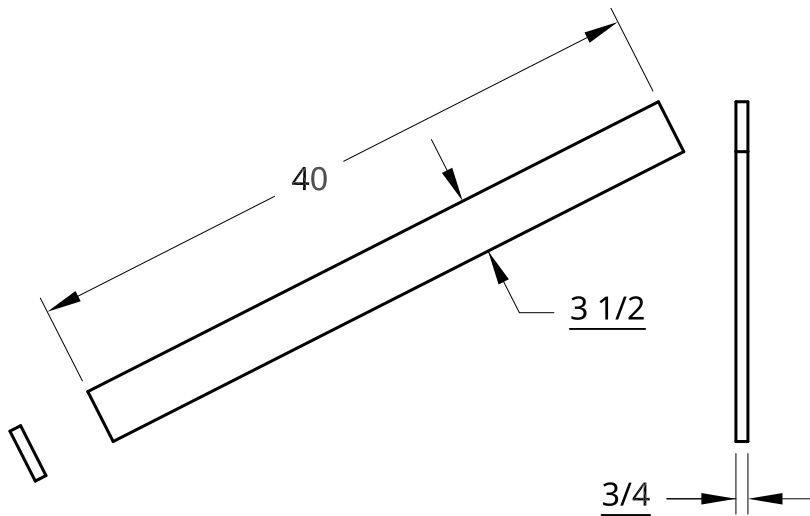
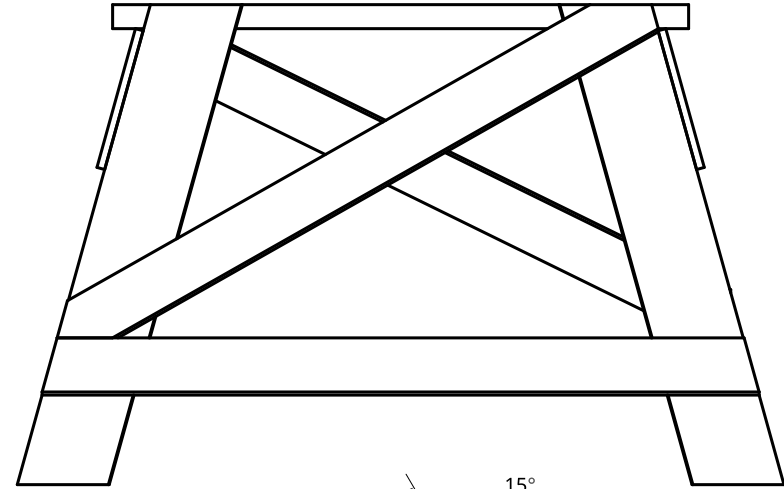
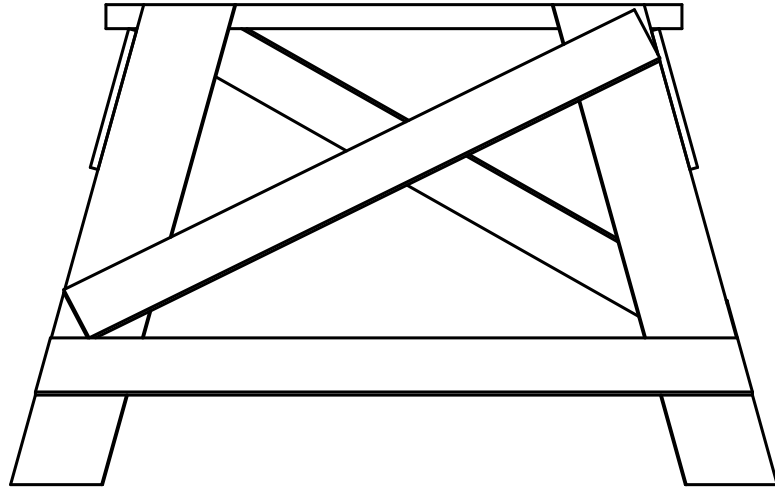
2

1

SIMPLE STYLE

FANCY STYLE

THE CROSS BRACES ARE OPTIONAL
AND NOT REALLY NECESSARY.
NOTE THAT THE FANCY STYLE VIOLATES
THE RULE THAT ALL NON-RIGHT ANGLES
IN THIS DESIGN SHOULD BE 15°.

**STOCK:**

1 X 4 - 40" (SIMPLE) OR -43" (FANCY)
(0.75 X 3.5 - 40 OR 0.75 X 3.5 - 43")
DIMENSIONAL LUMBER.
2 REQUIRED PER SAWHORSE (IF USED).

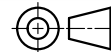
UNLESS OTHERWISE SPECIFIED,
DIMENSIONS ARE IN INCHES

DESIGN IS PUBLIC DOMAIN.
DRAWING AND MODEL ARE
COPYRIGHT 2020 BY DMM.
LICENSE: CREATIVE COMMONS
ATTRIBUTION-SHAREALIKE 4.0 INT'L.

DO NOT SCALE DRAWING

UNLESS NOTED, BREAK ALL SHARP
EDGES AND REMOVE BURRS

THIRD ANGLE PROJECTION



	NAME	DATE
DRAWN	DMM	2020-05-08

MATERIAL
WOOD

CircuitousRoot

TITLE		
15 DEGREE SAWHORSE CROSS BRACES (OPTIONAL)		
SIZE	DWG NO.	REV.
A	SAWHORSE15-5	4
SCALE	1:12	DWG
		5 of 5

2

1