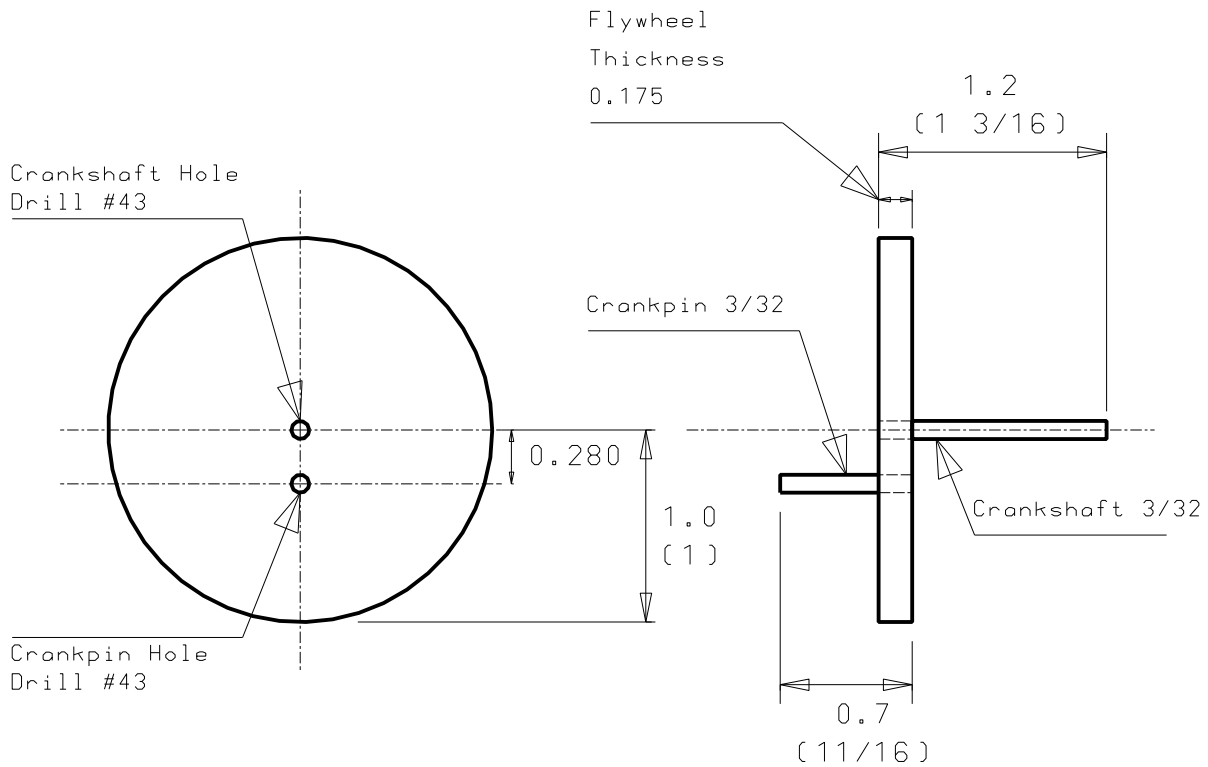


Material:
 6061-T6 aluminum for
 Flywheel
 (or other aluminum or
 brass alloy as convenient)
 Mild steel 3/32 dia. rod
 for Crankshaft
 and Crankpin



Flywheel
 Front View

Flywheel
 Right Side View

Scale 1:1 in postscript file
 Scale undefined in screen image
 Dimensions in inches



PROJECT		N2K BALLOON AIR ENGINE	
PART		FLYWHEEL AND CRANKSHAFT	
DESIGNED BY		JM	DRAWN BY DMM
2000-02-03	REV 1.2		
2000-02-03	BEGUN		
DWG COPYRIGHT 2000 DMM; GNU GPL			N2K-04