

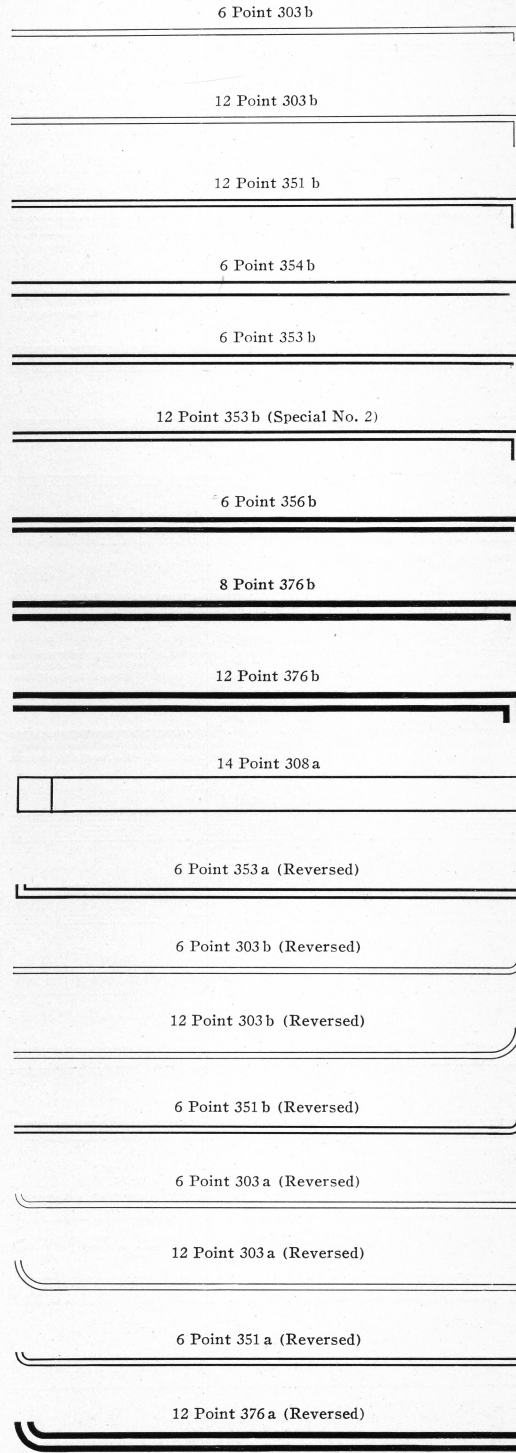
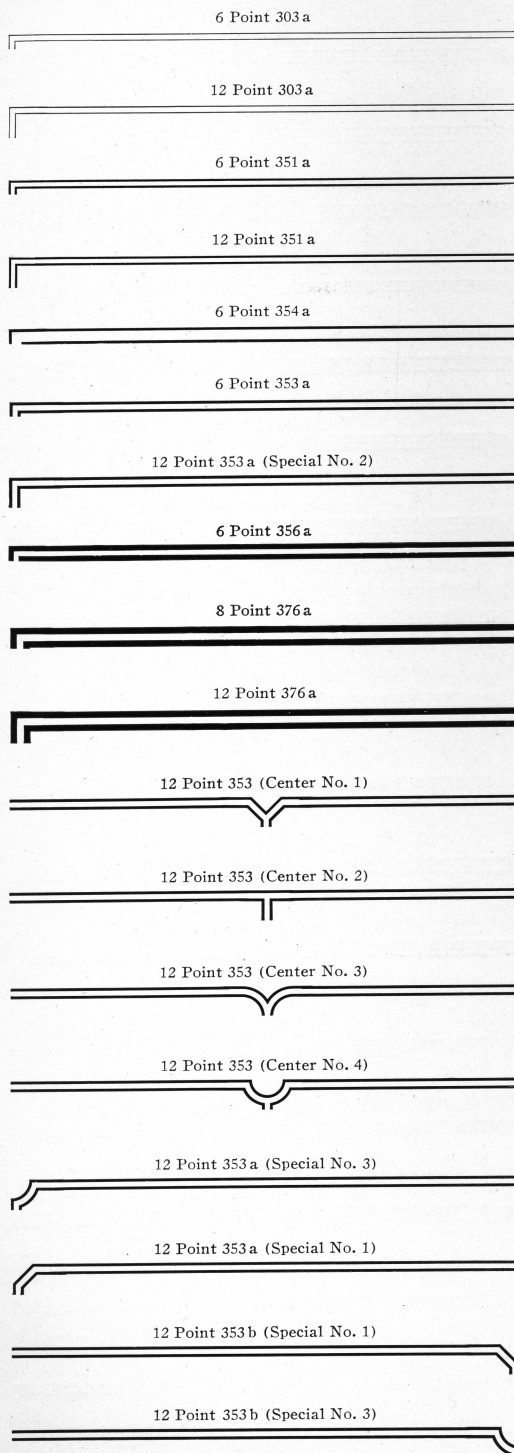
Two-Line Parallel Rule Matrix Slides

Even Weight of Face

2 Point 301	4 Point 351
3 Point 303	6 Point 352
4 Point 304	5 Point 353
5½ Point 305	6 Point 648
8 Point 307	6 Point 355
12 Point 306	6 Point 354
14 Point 308	8 Point 375
6 Point 303 a	6 Point 356
12 Point 303 a	8 Point 376
6 Point 351 a	12 Point 381
12 Point 351 a	6 Point 303 b
6 Point 353 a	12 Point 303 b
12 Point 353 a	6 Point 351 b
6 Point 356 a	12 Point 351 b
8 Point 376 a	6 Point 353 b
12 Point 376 a	12 Point 353 b
	6 Point 354 b
	6 Point 356 b
	8 Point 376 b
	12 Point 376 b

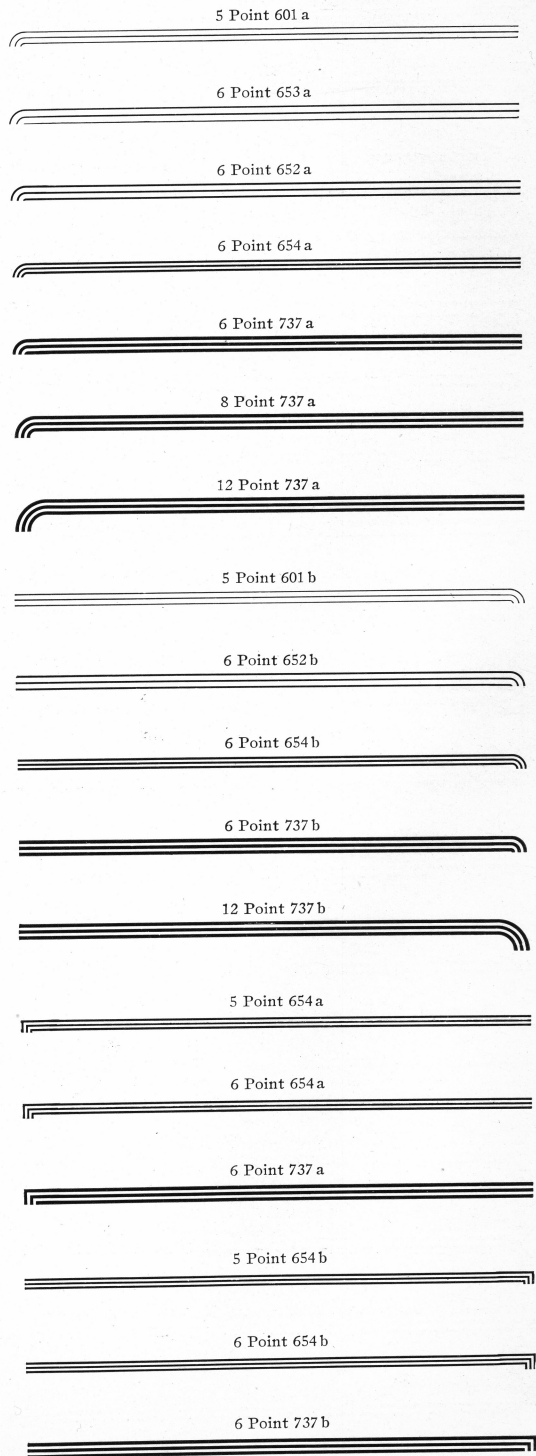
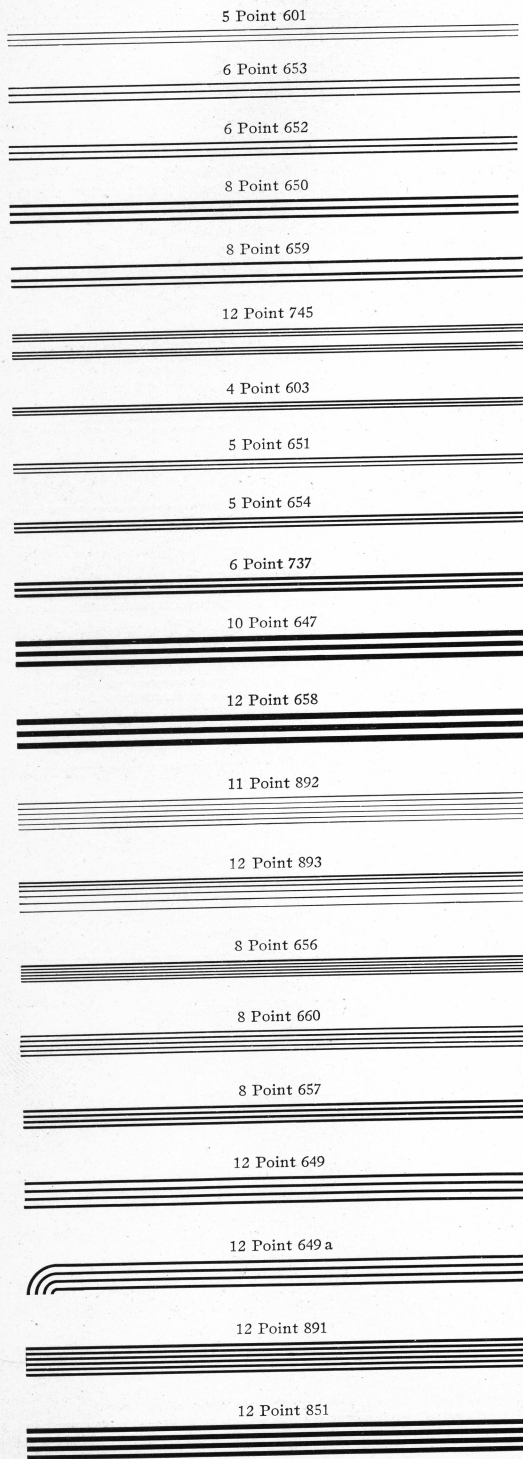
Matrix Slides with 2, 3 or 4 point face will cast on edge of slug bodies 5 point and larger. [See page 57.]

Two-Line Parallel Rule Matrix Slides with Corners



Three-Line Parallel Rule Matrix Slides

Even Weight of Face



Oxford Rule Matrix Slides

4 Point 503	3 Point 504
4 Point 505	6 Point 514
4 Point 508	6 Point 515
5 Point 506	12 Point 518 (Center)
5 Point 510	8 Point 543
6 Point 513	8 Point 536 (Center)
6 Point 516	10 Point 537
6 Point 517	12 Point 538
8 Point 509 (Center)	14 Point 541
12 Point 539	14 Point 540
12 Point 542	18 Point 2007
6 Point 505 a	6 Point 508 a
6 Point 508 a	5 Point 510 a
5 Point 506 a	6 Point 513 a
5 Point 510 a	12 Point 513 a
6 Point 513 a	6 Point 516 a
6 Point 514 a	6 Point 517 a
6 Point 516 a	6 Point 508 b
6 Point 505 b	6 Point 513 b
6 Point 508 b	12 Point 513 b
6 Point 516 b	6 Point 516 b
6 Point 516 a (Reversed)	6 Point 516 a (Reversed)
6 Point 516 b (Reversed)	6 Point 516 b (Reversed)
6 Point 514 c (13 ems)	12 Point 538 a

Matrix Slides with 2, 3 or 4 point face will cast on edge of slug bodies 5 point and larger. [See page 57.]

Miscellaneous Parallel Rule Matrix Slides

