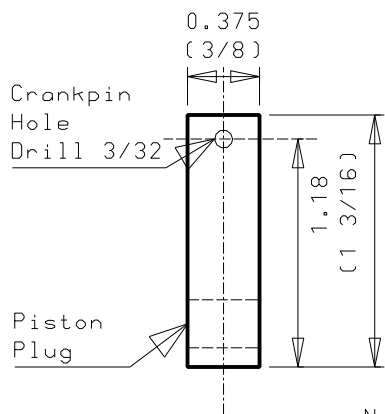




Piston  
Top View

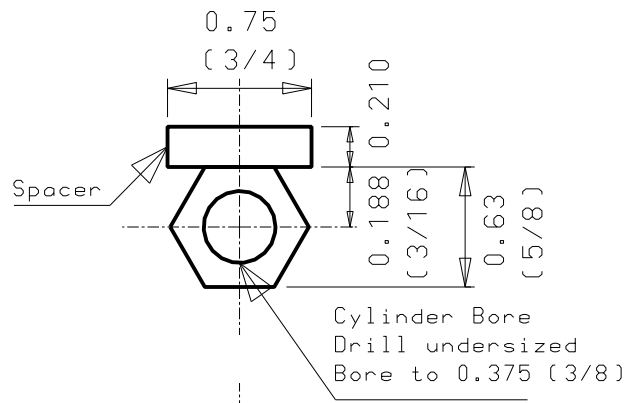


Piston  
Front View

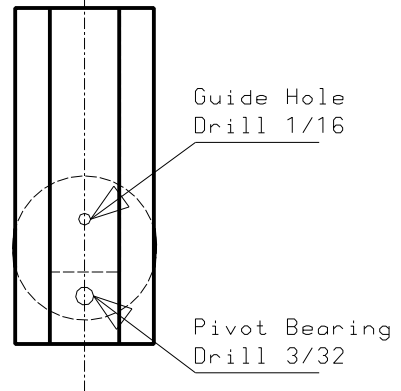
Material:  
6061-T6 aluminum for  
Cylinder and Spacer  
(or other aluminum or  
brass alloy as convenient)  
Brass tube for Piston  
(3/8 O.D.)  
Wood or other as convenient  
for Piston Plug

Note: Piston Plug fits I.D. of Piston.  
Glue in near end of Piston.

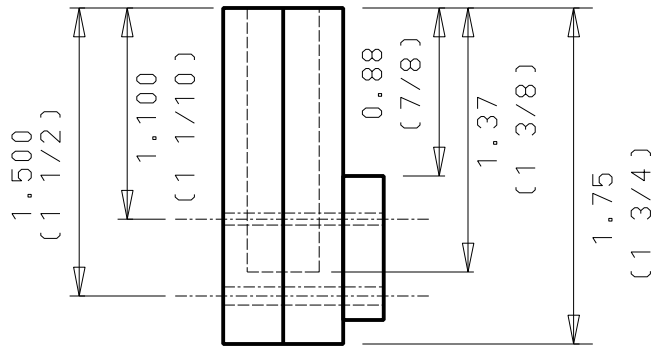
Cylinder  
Top View



Cylinder  
Front View



Cylinder  
Right Side View



Scale 1:1 in postscript file  
Scale undefined in screen image  
Dimensions in inches



PROJECT	N2K BALLOON AIR ENGINE	
PART	CYLINDER AND PISTON	
DESIGNED BY	JM	DRAWN BY DMM
2000-02-02	REV 1.2	
2000-02-01	BEGUN	
DWG COPYRIGHT 2000 DMM; GNU GPL		N2K-05